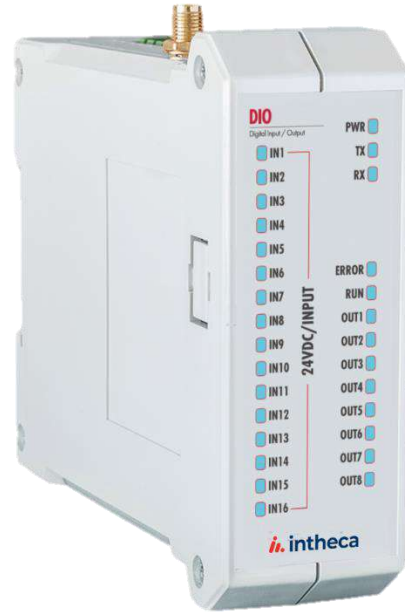


DIO-V5 TCP

Industrial Digital Input Output Module

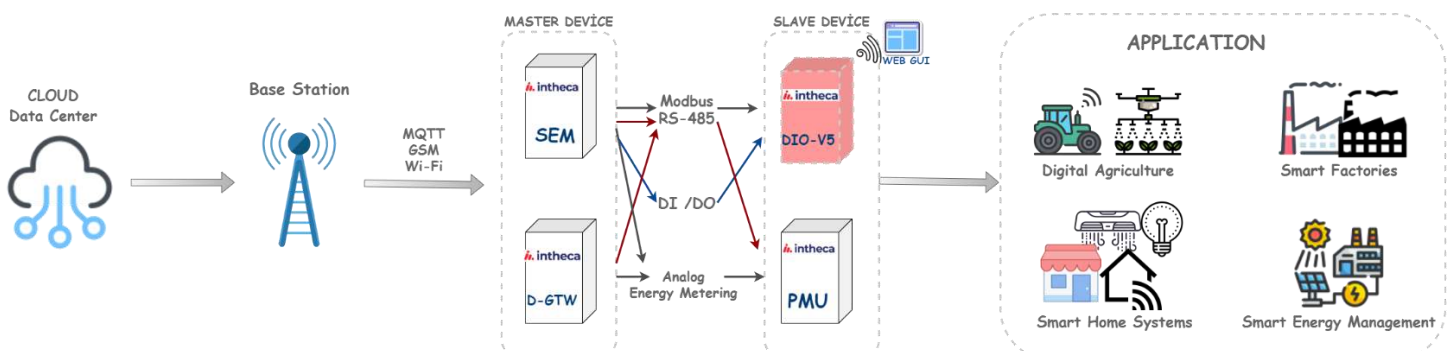


KEY FEATURES

- Modbus TCP , RTU (Optional)
- 2 port ETH 10/100 MBit
- 16 Digital Input
- 8 Digital Output (with Mosfet Output)
- Embedded Web Server
- DIN Rail Mounted

DIO (Digital Input/Output) Module features sixteen inputs and eight outputs. Module can display on/off or 1/0 data for up to 16 channels. Input channels with high impedance reduce the input current and noise immunity is increased through hysteresis. Field and system levels are electrically isolated. It has two ethernet and serial communication ports for flexible connection to field devices and remote control systems. The device has a anti-jumping filter to prevent contact from jumping. The device also has 32 bit change registers and these registers display the level changes in the input channels. DIO (Digital Input/Output) has 8 channels of isolated solid state relay output. Output channels are isolated from each other. Our device can be rail mounted. Users can configure easily with setup program.

APPLICATION



TECHNICAL SPECIFICATIONS

Device Specifications

Supply Voltage Range	18-36 VDC	
Supply Current Range	40mA	
Nominal Supply Voltage	24 VDC	
CPU	ARM Cortex-M7	Tensilica Xtensa 32-bit LX6
Flash	2 MB	16 MB
RAM	1 MB	8 MB
Storage	Internal	Internal
Power Consumption	< 1 W @ 24VDC	< 1 W @ 24VDC

Ethernet Specifications

Data Rates	10/100 Mbps
Number of Connections	2 port

Communication Specifications

Communication Protocols	Modbus-RTU/ TCP (Slave) (Shoud be defined on order)
Serial Interfaces	RS-485 (Isolated)
RS-485 BaudRate	1200bps – 115200bps
Connection Type	3 wired (A,B,Gnd), Half Dublex
Data Type	8 bit data, No parity, 1 bit stop
Isolation	2.5 kVAC, 1 minute
USB Connector	Micro USB

Digital Input Specifications

Number of Digital Input Channels	16
Input Channel Voltage Range	0 – 36 VDC / 0 – 110 VDC (Shoud be defined on order)
Input Channel Isolation	Available, Isolated with Optocoupler
Input Current	1.5 mA / Channel
Input Filter	Programmable, Default: 20ms
Input Change Counter	32 Bit

Digital Output Specifications

Number of Digital Output Channels	8 (Type Dry-Contact)
Output Channel Voltage Range	0 – 36 Vdc or 0-250 Vac (Shoud be defined on order)
Nominal Output Voltage	24 VDC / 110 VDC (Shoud be defined on order)
Output Type	Emitter-Follower Transistor
Max. Output Current	50 mA/ Channel
Load Type	Resistive, Inductive
Output Channel Isolation	Available, Isolated with Optocoupler

Environment Conditions

Standards	IEC 61326-1, EN 301489-1, IEC 61010-1, EN 60950-1
Operating Temperature	-25°C / +70°C
Storage Temperature	-40°C / +70°C
Operating Humidity	25%- 95% RH
Protection Class	IP20

Mechanical Specifications

Device Dimensions (W x H x D)	35 x 102 x 117 mm
Weight	210 gr
	16 Digital Input Led
	8 Digital Output Led
Notification LEDs	1 Digital Status Led
	1 Digital Communication Led
	1 Digital Power Led